

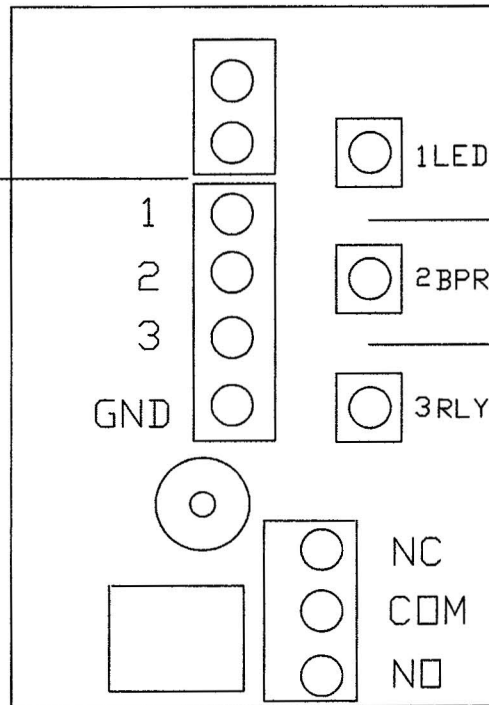
12-24VAC/DC
Input power.

External control
Beeper

Right LED

Left LED

Connect to GND
to turn on



PROGRAMMING
BUTTONS

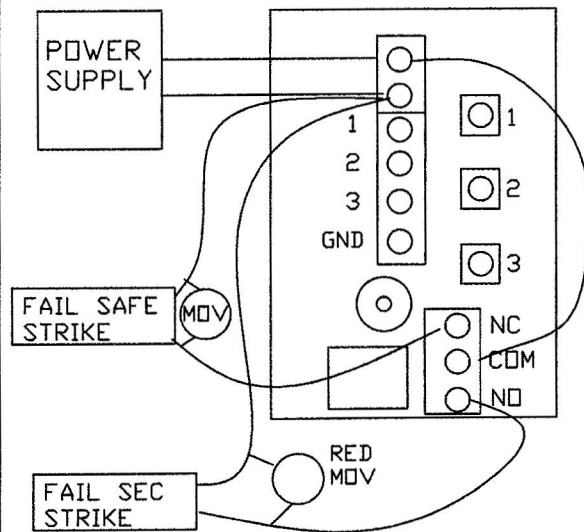
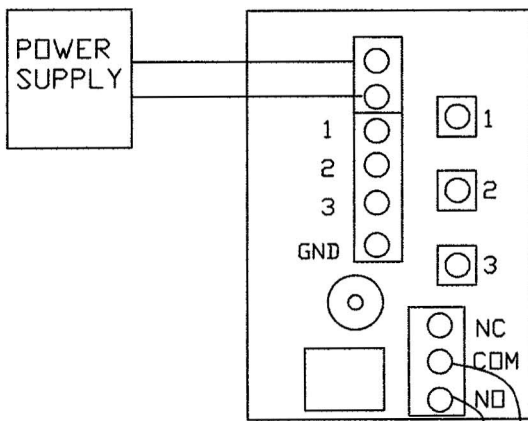
LED Function

Beeper Function

Relay ON Time

Hold button down for 5 seconds to reset to step 0 then press to increment through the functions.

RELAY
CONTACTS



TYPICAL HOOK-UPS

RPC147J

DR Rev. A 3/11

DWG NO:
PHSX1-US WIRING DIAGRAM
SCALE:
SHEET 1 OF 1

DWG. NO.