



8 BIT WORD SPECIFICATIONS



**12 Pad
3x4**



**Thinline
2x6**

Part Number (s): KTP-163-SN, KTP-163-BN, KTP-163-KN
KTP-162-SN, KTP-162-LI, KTP-162-BN, KTP-162-LR

Output: 8 Bit Word

Voltage(s): 5 VDC, +/- 0.1V 20mA 12 VDC, +/- 3.0V 20mA

Temperature: -40 C to +70 C (-40 F to +160 F)

This Keypad is selectable for 5 or 12 Volts. There are two pins directly above the connector on the back of the keypad, A jumper plug is installed on one of the pins. This is the default setting for 12 Volt operation. If you require 5 Volt operation, install the jumper plug on both pins.

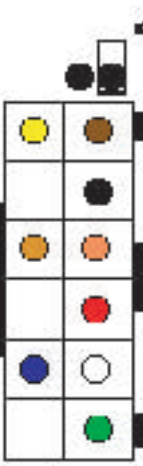
DATA 1 and DATA 0 signals are open collector outputs with 2.2K pull-ups to the internal +5v. The data is sent at 1 msec per bit with a pulse duration of 50 usec. An annunciator beeps with each key press.

An output is generated with each key press which can be used to drive a CCTV or Security Light. Located through the Blue wire (see Connector Wiring), this is an open collector output capable of sinking 1/4 A with a 30 second on time.

Each position or key press generates an 8-Bit sequence in the following output format:

POSITION/KEY	OUTPUT	POSITION/KEY	OUTPUT
0	11110000	6	10010110
1	11100001	7	10000111
2	11010010	8	01111000
3	11000011	9	01101001
4	10110100	*	01011010
5	10100101	#	01001011

CONNECTOR WIRING



Wiring
 Red - Input Voltage
 Black - Ground
 Green - Data 0
 White - Data 1
 Brown - LED Control
 Yellow - LED Control
 Blue - CCTV
 Orange - 1 or 2 LED Select
 Tan - Case Ground

VOLTAGE SELECT (Do NOT apply voltage)
 12V - Jumper on 1 pin only
 5V - Jumper on both pins

YELLOW - LED Control (Do NOT apply voltage)

TAN - Case

BLUE - CCTV

BROWN - LED Control (Do NOT apply voltage)
BLACK - Ground

ORANGE - LED Select (Do NOT apply voltage)

RED - Input Voltage

WHITE - Data 1's

GREEN - Data 0's

BLUE - Pressing any position on the Keypad will generate a 30 second 0.25 amp intermittent duty grounding output.

ORANGE - The ORANGE wire allows the choice of controlling the RED & GREEN LED's on the Keypad with either 1 wire (BROWN) or 2 wires (BROWN & YELLOW).

a) When the ORANGE wire is floating(not connected), two wires control the LED's. When the BROWN wire is pulled low (grounded), the GREEN LED is on. When the YELLOW wire is pulled low, the RED LED is on.

b) To control both LED's with one wire (BROWN), pull the ORANGE wire low. When the LED control input is pulled low, the GREEN LED will be on and the RED LED will be off. When the input goes high, the RED LED will be on and the GREEN LED will be off. The LED that is illuminated will blink with every key press. The LED control is pulled to the internal +5 with a 2.2K resistor.

UL Listed: Access Control Unit Accessory - 43J0

CE Compliance: EN-55022:1994, Class B

EN-50082-1: 1992

This device complies with Part 15 of the FCC rules and regulations.

Operation is subject to the following two conditions: (1) this device may not cause harmful interference, (2) this device must accept any interference including interference that may cause undesired operation.