

## PEB Series Installation Instructions

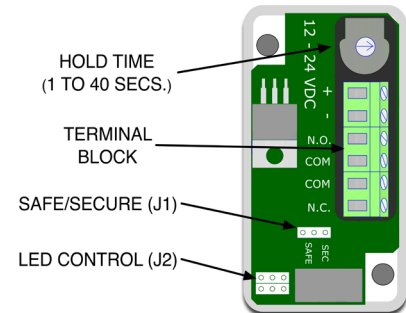
### PEB-1S, PEB-1SO, PEB-2S, PEB-2SBLANK, PEB-2SEE, PEB-2SO

#### Application

The Essex PEB Series incorporates piezoelectric technology to convert physical touch (pressure) of the push button from mechanical to electrical pulse. This pulse is used to energize a relay for an adjustable set time, from 1 to 40 seconds. The LED ring may be illuminated in red, green, or disabled. The Exit Button has two separate outputs – Normally open & normally closed and may be configured for failsafe or fail secure operation.

#### Specifications

Voltage Input	12 to 24 VDC
Hold Time (ON Time)	1 to 40 seconds, adjustable
Current – LEDs are ON	40mA idle, 60mA Active
Current – LEDs are OFF	10mA idle, 40mA active



#### Mounting

PEB-1S, PEB-1SO: Designed for narrow or mullion mount applications. For recessed installation, use template provided to mark and remove material. For surface mount installation, an optional spacer ring is available. (SP-1 or SR-1)

PEB-2S, PEB-2SBLANK, PEB-2SEE, PEB-2SO: Designed to mount to a standard U.S. Single Gang switchbox. An optional back box (BAK BOX-SGS) is available for surface mount installation.

#### Precautions

- ✓ Shut off all power in access control circuits before wiring this device.
- ✓ Maintain a clean & safe environment.
- ✓ Be aware of pedestrian traffic around the installation location.
- ✓ Stop pedestrian traffic through the controlled door while performing tests that may result in unexpected door operation.
- ✓ ESD, or electrostatic discharge: Circuit boards are vulnerable to damage by ESD. Before handling the product, but sure to dissipate your body's charge by grounding to facility grounds.
- ✓ Always check placement of wiring before power is applied to verify that moving parts will not catch these wires and damage them.
- ✓ DO NOT attempt to repair the Exit Button, there are no user serviceable parts. All repairs must be performed by Essex Electronics.

#### Installation

##### Connect Output Relay

The Exit Button may be configured to offer Normally Open (N.O.) and Normally Closed (N.C.) relay output.

NORMALY OPEN; Connect the common lead to the COM1 and the positive lead to the N.O. terminals.

NORMALY CLOSED; Connect the common lead to the COM2 and the positive lead to the N.C. terminals.

##### Connect Power

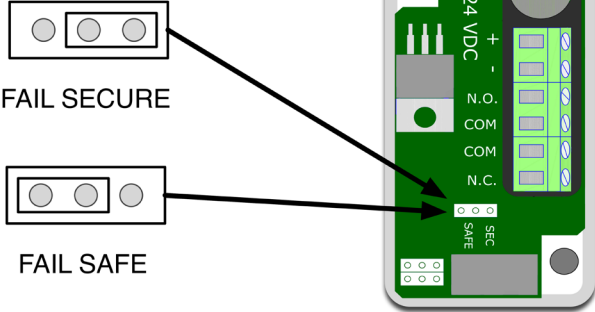
The exit button will operate when any voltage between **12 and 24 VDC** is applied.

**Warning: Do NOT apply AC voltage!!!**

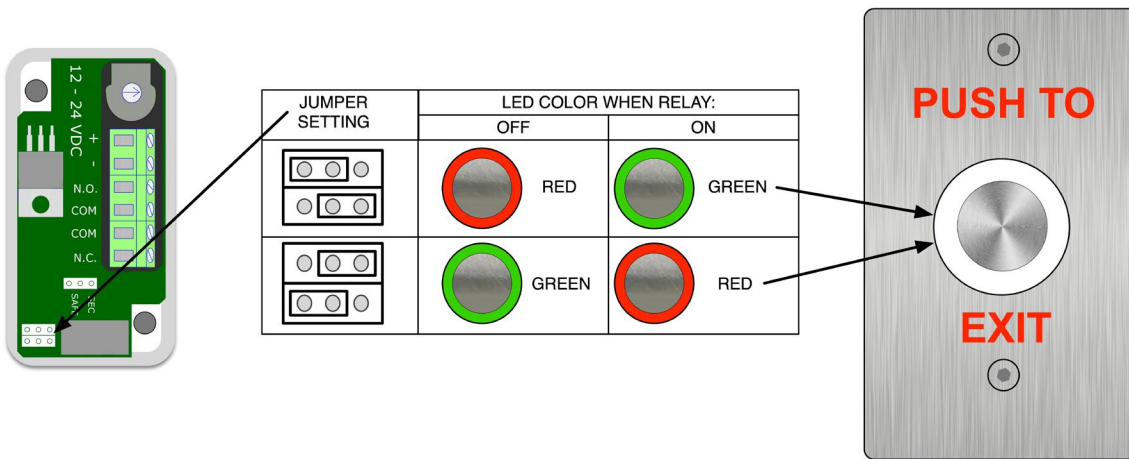
Connect the power supply positive lead to the "+" terminal.

Connect the power supply negative lead to the "-" terminal.

**Fail Safe & Fail Secure**

Jumper Setting	Relay Output		
	In Normal Position	When Button is Pressed	
Fail Safe	On	OFF	FAIL SECURE
Fail Secure	OFF	ON	FAIL SAFE

**LED Color Scheme**



**External LED Control**

The LEDs may be controlled externally.

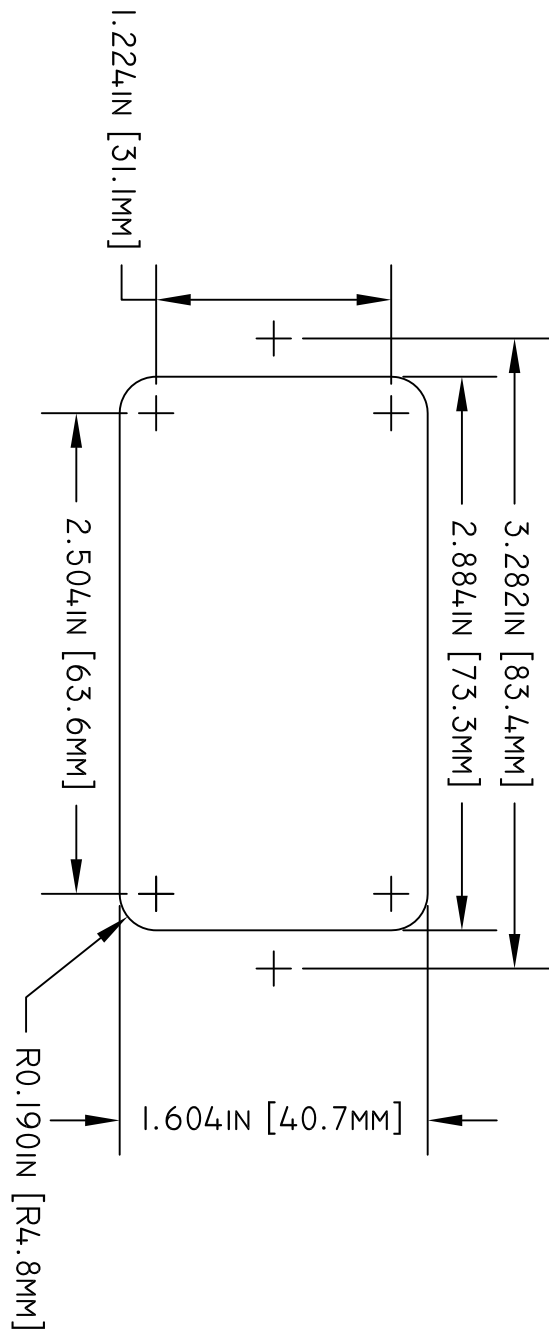
1. Remove both jumpers from the J2 block.
2. Connect the middle of the three pins on each jumper to ground.
3. Connect the left pins for GREEN color when the relay is ON.
4. Connect the right pins for RED color when the relay is ON.

**Certifications:**

UL 294 Performance Levels: Access Control Line Security I, Destructive Attack Level I, Endurance Level IV, Standby Power Level I.

**Company Contact**

Essex Electronics, Incorporated  
 1130 Mark Avenue, Carpinteria, CA 93013 (805) 684-7601 or (800) 539-5377 (KEY-LESS) FAX (805) 684-0232  
 Website: keyless.com  
 General email: essex@keyless.com  
 Technical Support email: support@keyless.com



Exit Button Mounting Template 211022